



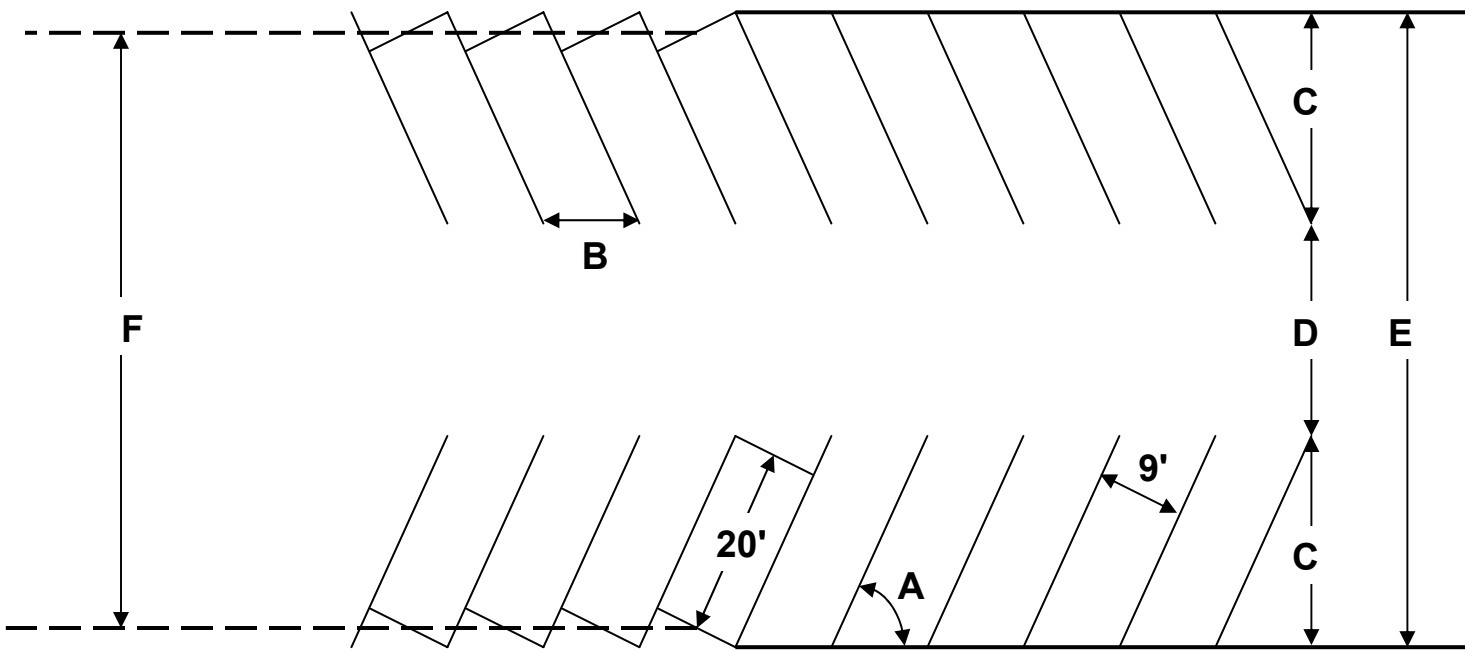
Minimum Dimensions For Designing Off Street Parking Layouts

A	B	C	D	E	F
Angle	Curb Length Per Car	Stall Length	Aisle Width	Bay Width	Bay Width Overlap Layouts
30°	19'	17'	12'	46'	38'
45°	13'	19'	15'	53'	49'
60°	11'	22'	18'	60'	56'
90°	9'	20'	25'	65'	N/A

The Minimum aisle width for two-way traffic is 25'

Standard Parking Space: 9' x 20'

Compact Parking Space: 8' x 15' (35% of total spaces may be compact)



Parallel Parking

Alternate Layout

Maneuvering Space

